

# Series 800

## 106595-1

### Logic Controller / Power Supply for use Outdoors

The Detex 106595-1 is a universal logic and power supply controllers that allow for total control over all electrified hardware. The controller receives input from a switch, access control or any dry contact device and processes it into the desired output. One controller can manage applications for up to two doors, such as standard egress, delayed egress and interlocks. All connections for local or remote signaling are contained in one box. The 106595-1 logic controllers provide at least 2A of DC power at the door. A battery backup/charging circuit is standard with each controller to deliver an uninterrupted source of power for up to 4 hours (battery sold separately). Enclosure is NEMA 4X rated.



106595-1  
Shown closed



106595-1  
Shown open

#### Benefits

- Central terminal connections provide easy wiring
- Designed specifically to support electric locks, access control systems and delayed egress systems
- Inline fuse protects against power surges
- NEMA 4X rating provides protection against rain, sleet, snow and corrosion
- Multiple fire alarm relay input options assure compliance to various life safety codes
- On/Off switch allows for easy service and inspection

#### Features

- Power supply and controller all in one NEMA 4X box
- Controls up to 2 separate doors for standard egress or 2-door interlock applications
- 1 controller required for each independent delayed egress application
- Output relays for locks, local alarm and remote alarms
- Relays may be configured to wet or dry connections
- Status LEDs toggle on or off for easy troubleshooting
- Connections are labeled with either numbering scheme or label with text to identify circuits
- Single AC line voltage required to activate
- Dual voltage selection (12/24VDC)
- 9VDC, 100mA output terminal tap
- Fuse protection
- Battery backup circuit (std)
- Other Models include:
  - 106595-1LT = TRC (Less Transformer)
  - 106595-2 = Garden Center/WDE
  - 106595-2LT = Garden Center/WDE (Less Transformer)
  - 106595-3 = TRC - Coastal
  - 106595-3LT = TRC - Coastal (Less Transformer)
  - 106595-5 = BE-561 in NEMA 4X enclosure

#### Mechanical Options

- 24 point terminal strip and flip down tray included with the 12-800

#### Electrical Options

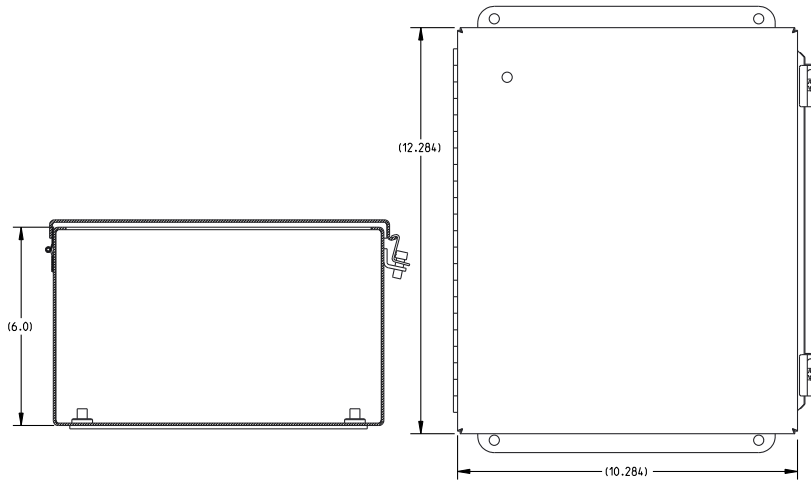
- Access Control compatible
- Tamper Switch
- M12 module provides 12VDC @ 400mA for access control components
- Battery backup, 12VDC or 24VDC, 4AH
- Pre-wired terminal strip with labels for easy identification (11-800)

## Technical Information

- 110VAC input
- 12 or 24 VDC output, 2A
- Lock Relay 2A
- Remote Relay 2A
- Controls 2 doors within 100 feet using 18ga stranded wires

- Bolt Position /Door Position Switches Relay 2A
- Local Alarm Relay 5A

## Dimensions



## Listings and Approvals

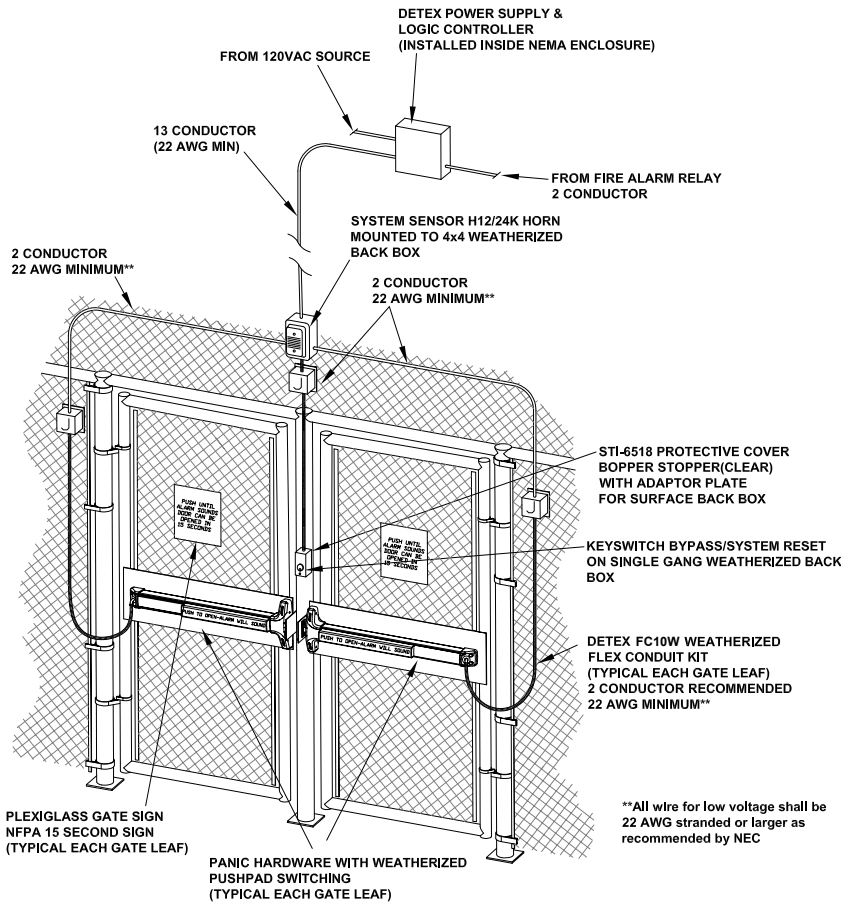


UL Listed Power Supply and Special Locking Arrangement (Delayed Egress)

## Detex Limited Warranty

3 Year Limited Manufacturer's Warranty

## Riser Diagram



Where Trust is Built™  
**DETEX**®  
 Life Safety, Security and Security Assurance

Detex Corporation  
 302 Detex Drive  
 New Braunfels, Texas 78130-3045 USA  
 PH. (830) 629-2900  
 (800) 729-3839  
 FAX (800) 653-3839  
<http://www.detex.com>  
 USA Sales:  
[marketing@detex.com](mailto:marketing@detex.com)  
 International Sales:  
[export@detex.com](mailto:export@detex.com)

⚠ Cancer & Reproductive Harm - [www.detex.com/prop65](http://www.detex.com/prop65)