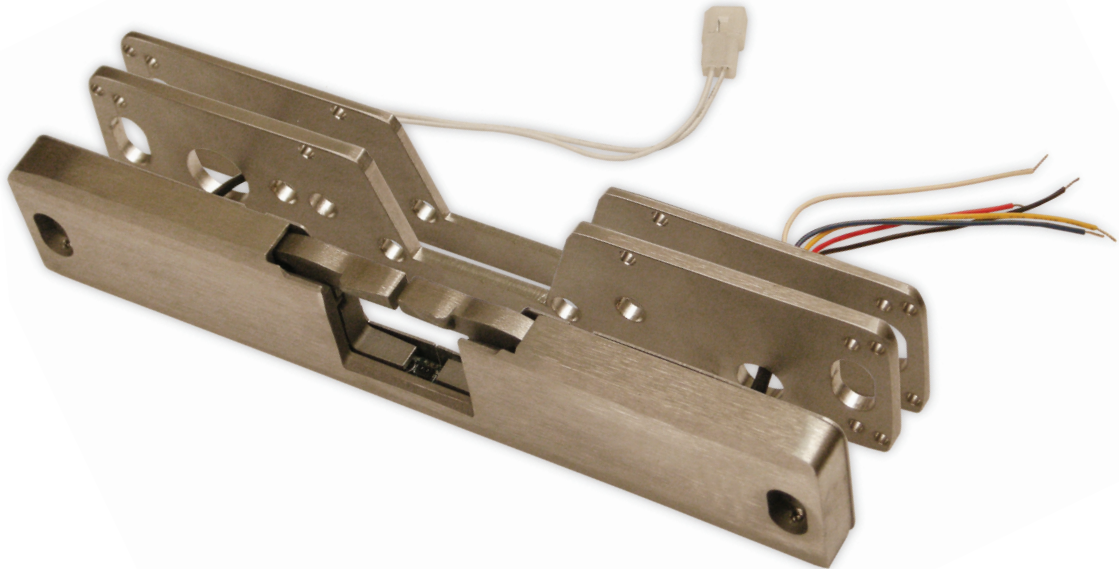


# ELECTRIC STRIKES

## DS-24

### Electric Strike

The DS-24 is a heavy duty electric strike for use with Advantex and Value Series rim exit devices.



#### Benefits

- Accommodates a variety of frame types and cut outs, but easily mounts to the surface of most frames
- Latch bolt sensor provides extra level of security
- Plug-in modular wiring allows for faster installation
- Built-in electronics automatically allow between 11 and 28V DC input with surge and kickback protection saves time and money
- Kit includes 1/4" spacer and 1/8" spacer for perfect alignment with Advantex and Value Series rim latch bolt. Use both for perfect alignment when using Detex devices. For use with other exit devices, see competitor template.

#### Features

- Fail secure / Fail safe field reversible
- Increase life and decrease maintenance due to electronic vs. mechanical operation
- Non-Mechanical operation
- 6-pin anchoring system for strength and stability
- Handed - field reversible
- Ignores ambient light, detecting radiant Infrared reflections off the pullman latch
- One piece locking mechanism with one Solenoid
- Tested to hold over 1500 pounds
- Sensor is concealed within the unit
- Sensor does not require any adjustment

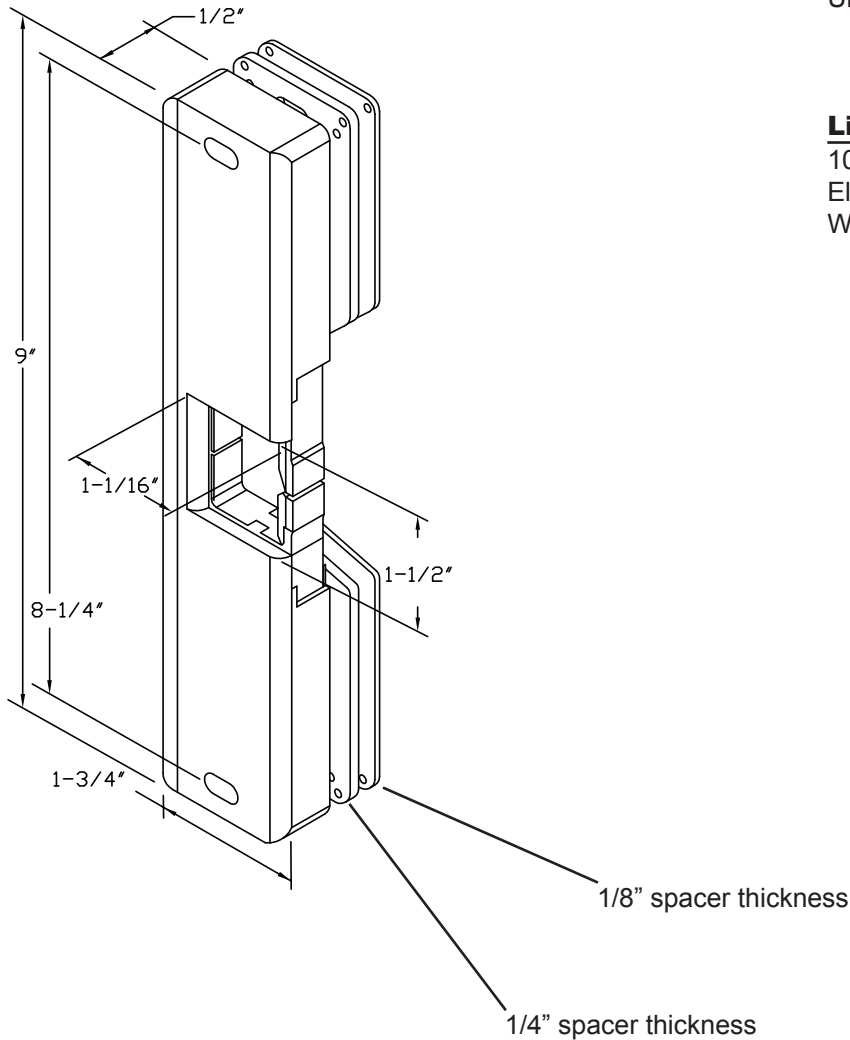
#### Technical Information

- Sharp® Infrared optical sensor with Normally Open and Normally Closed contact terminals, rated for 1 Amp at 24V AC or DC
- Sensor Power - 12 through 30V DC
- Strike - 11-28V DC
- Max Current Draw (strike):  
12V DC = .5A  
24V DC = .255A

## Finishes

- 630/US32D Brushed Stainless Steel on strike
- Spacers are steel

## Dimensions



## Listings

UL10C Fire Rated

## Limited Warranty


10 Year Mechanical / 2 Year  
Electrical Manufacturer's Limited  
Warranty

*Where Trust is Built™*

**DETEX®**

*Life Safety, Security and Security Assurance*

Detex Corporation  
302 Detex Drive  
New Braunfels, Texas 78130-3045 USA  
PH. (830) 629-2900  
(800) 729-3839  
FAX (800) 653-3839  
<http://www.detex.com>  
USA Sales:  
[marketing@detex.com](mailto:marketing@detex.com)  
International Sales:  
[export@detex.com](mailto:export@detex.com)

 Cancer & Reproductive Harm - [www.detex.com/prop65](http://www.detex.com/prop65)