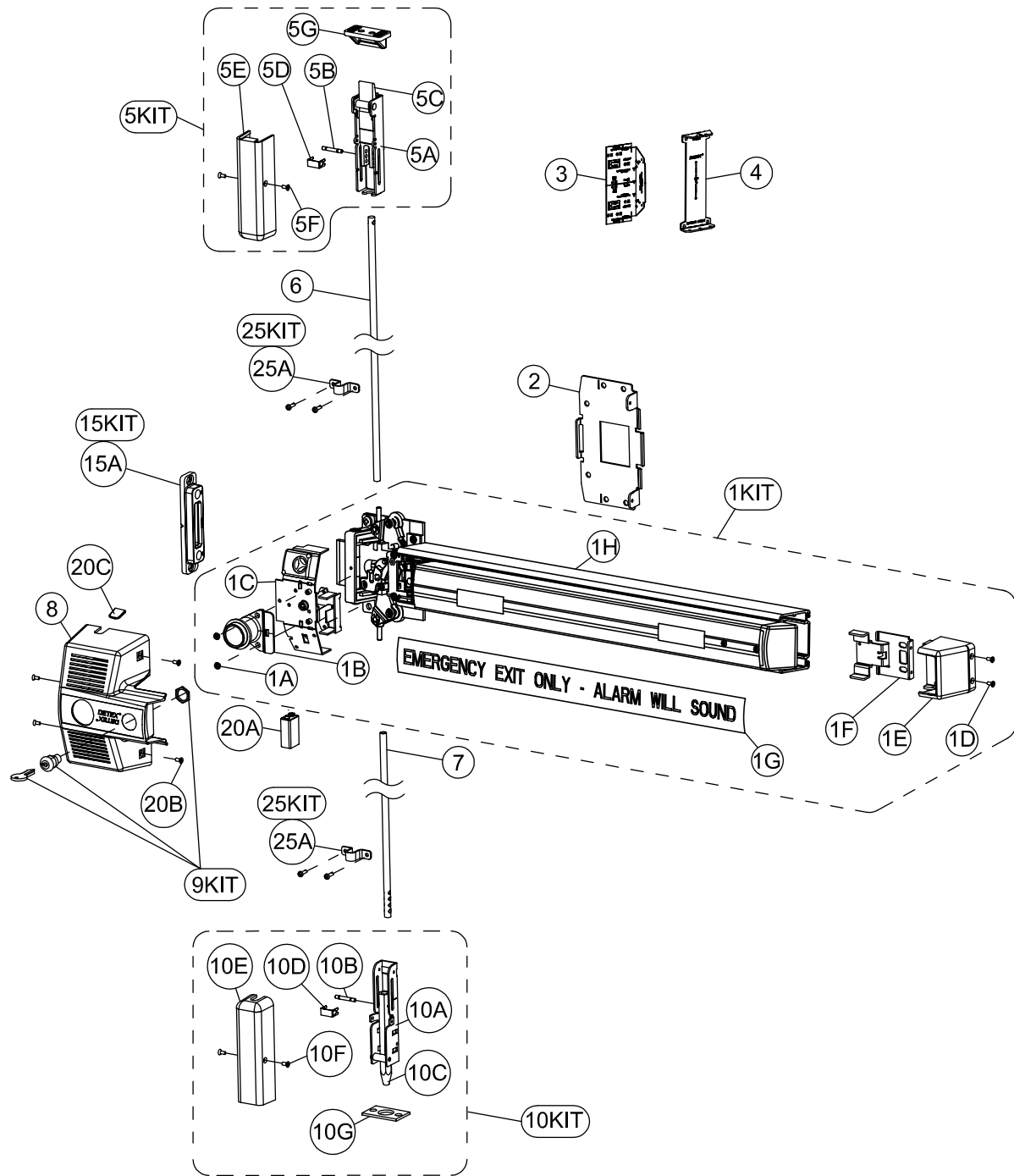


ECL-230X Parts List



Item	Order Part #	Description	List Price
1KIT	105431-1	S&R ECL-230X core assy, single point (includes items 1A-1H)	\$ 715.00
	105431-2	S&R ECL-230X core assy, TDB, TD (includes items 1A-1H)	\$ 775.00
	105431-3	S&R ECL-230X core assy, H (includes items 1A-1H)	\$ 1,085.00
	105431-4	S&R ECL-230X core assy, TDB, H (includes items 1A-1H)	\$ 1,175.00
	105431-5	S&R ECL-230X core assy, 30" single point (includes items 1A-1H)	\$ 710.00
	105431-6	S&R ECL-230X core assy, 30" TDB (includes items 1A-1H)	\$ 775.00
1A	103699-104	Screw 8-32 x 1/4 cone	\$ 0.25
1B	103629	IKC cylinder housing	\$ 7.00
1C	103650-1	Siren bracket assy	\$ 101.00
	103650-2	Siren bracket assy, weatherized	\$ 141.00
1D	PP-5377-106	Screw 8-32 x 3/8 FH	\$ 0.15
	101950-505	Screw 8-32 x 5/16 FH, weatherized	\$ 4.00
1E	103641-1	Endcap cover	\$ 6.00
1F	103625	Endcap bracket	\$ 9.00
1G	103647-1	Pushpad sign, 230X, english, red, std	\$ 19.00
	103647-13	Pushpad sign, 230X, english, red, 30"	\$ 14.00
1H	105432-1	S&R, ECL-230X Internal Pushpad Assy, single point	\$ 559.00
	105432-2	S&R, ECL-230X Internal Pushpad Assy, TDB/TD	\$ 629.00
	105432-3	S&R, ECL-230X Internal Pushpad Assy, H	\$ 731.00
	105432-4	S&R, ECL-230X Internal Pushpad Assy, TDB, H	\$ 1,098.00
2	103632	Back-plate	\$ 13.00
3	103643	Lockbody main template	\$ 7.00
4	103687	Top & Bottom latch template	\$ 3.00
5KIT	103693-1	Top bolt assy, standard (includes items 5A-5G)	\$ 160.00
	103693-2	Top bolt assy, weatherized (includes items 5A-5G)	\$ 160.00
5A	103691	Top bolt bracket	\$ 42.00
5B	103533	Bolt pin	\$ 4.00
5C	103639	Top bolt	\$ 79.00
5D	103551	Bolt clip	\$ 5.00
5E	103652-1	Top/bottom cover	\$ 8.00
5F	100156-104	Screw 8-32 x 1/4 FH	\$ 0.15
	101950-505	Screw 8-32 x 5/16 FH, weatherized	\$ 4.00
5G	103634	Top strike	\$ 20.00

Item	Order Part #	Description	List Price
6	103674	Top rod (84")	\$ 55.00
	103073-2	Top rod assy (96")	\$ 199.00
	103073-3	Top rod assy (120")	\$ 236.00
7	103544	Bottom rod	\$ 40.00
8	105435-1	Cover assy, TDB/TD	\$ 79.00
	105435-2	Cover assy, single point	\$ 103.00
	105435-3	Cover assy, TDB/TD, weatherized	\$ 99.00
	105435-4	Cover assy, single point, weatherized	\$ 139.00
	105435-5	Cover assy, TDB/TD, hurricane	\$ 114.00
	105435-6	Cover assy, single point, hurricane	\$ 114.00
9KIT	PP-5572	Lockset w/2 keys (includes 9A) (select key number 11-20)	\$ 9.00
9A	ECL-405	Key (select key number 11-20)	2.00
10KIT	103692-1	Bottom bolt assy (includes items 10A-10G)	\$ 92.00
	103692-2	Bottom bolt assy, weatherized (includes items 10A-10G)	\$ 92.00
10A	103555	Bottom bolt bracket subassy	\$ 42.00
10B	103533	Bolt pin	\$ 4.00
10C	103536-1	Bottom bolt	\$ 17.00
10D	103551	Bolt clip	\$ 5.00
10E	103652-1	Top/bottom cover	\$ 8.00
10F	100156-104	Screw 8-32 x 1/4 FH	\$ 0.15
	101950-505	Screw 8-32 x 5/16 FH, weatherized	\$ 4.00
10G	103546	Bottom strike plate	\$ 14.00
15KIT	103660	Strike kit, standard (includes item 15A)	\$ 45.00
	103660-1	Strike kit, high strength (includes item 15A)	\$ 80.00
15A	103614	Strike	\$ 49.00
20KIT	103640	Hardware kit, single point (not shown) (includes items 20A-20C)	\$ 41.00
	103640-4	Hardware kit, three point, std & hurricane (not shown) (includes items 20A-20C)	\$ 49.00
	103640-6	Hardware kit, single point, hurricane (not shown) (includes items 20A-20C)	\$ 49.00
	103640-10	Hardware kit, single point, weatherized (not shown) (includes items 20A-20C)	\$ 48.00
	103640-14	Hardware kit, three point, weatherized (not shown) (includes items 20A-20C)	\$ 60.00
20A	PP-5567	9V Battery	\$ 6.00
20B	PP-5377-106	Screw, mach, 8-32 x 3/8" PFH	\$ 0.15
20C	103645	Rod cover cap	\$ 44.00
25KIT	104073-1	Rod guide kit one (not shown) (includes 25A)	\$ 9.00
	104073-2	Rod guide kit two (not shown) (includes 25A)	\$ 18.00
	104073-3	Rod guide kit three (not shown) (includes 25A)	\$ 27.00
25A	103534	Rod guide	\$ 8.00