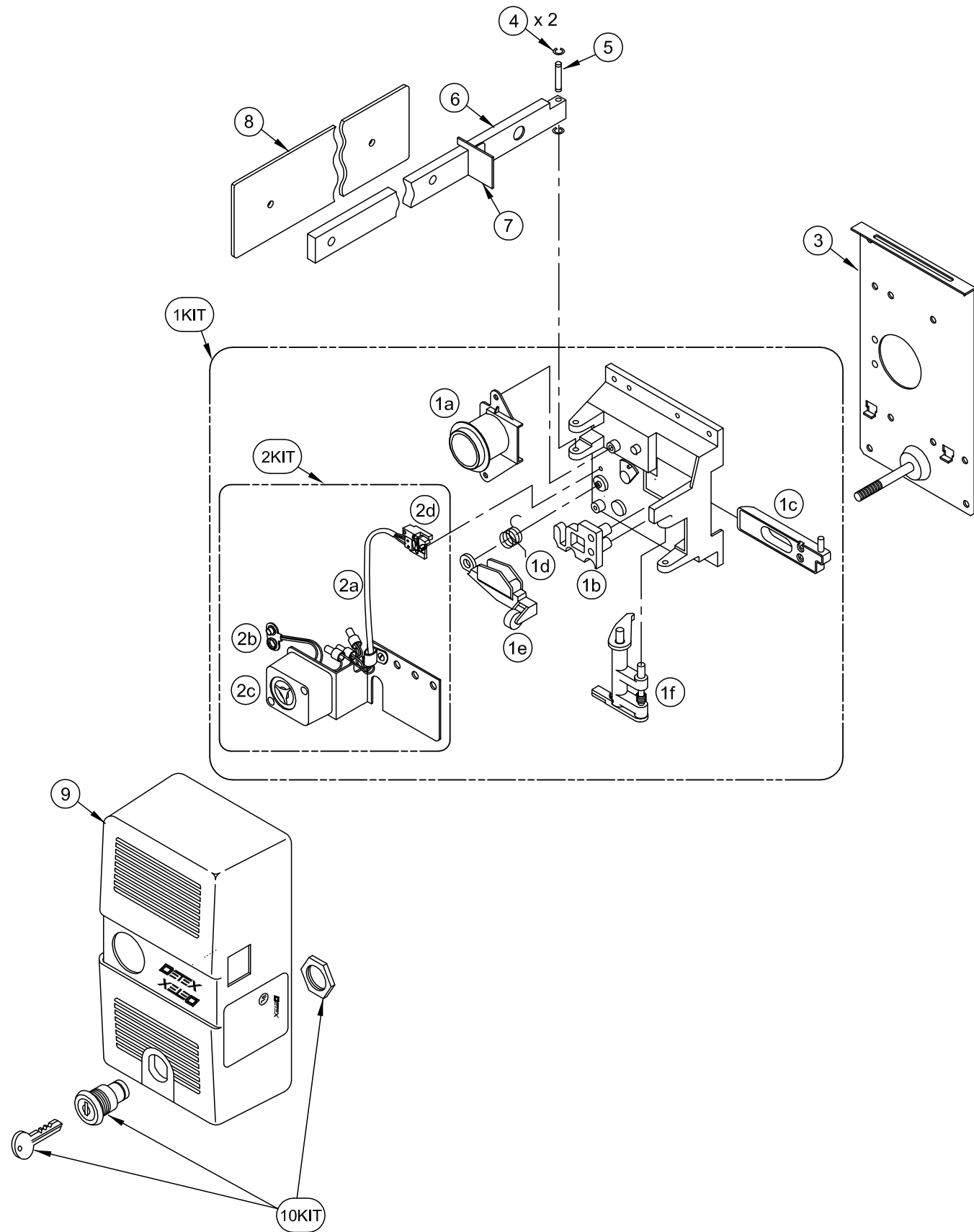


# ECL-230D / ECL-230D-PH Parts List



PARTS BREAKDOWN			
Item	Order Part #	Description	List Price
1KIT	ECL-243PH	Mechanism Assembly (includes 1a-1f & 2kit)	\$ 125.00
1a	ECL-1576-15	Cam Bridge Assembly	\$ 15.00
1b	ECL-285A	Cam Plate Bottom	\$ 4.00
1c	ECL-306-1	Bolt Assembly	\$ 26.00
1d	ECL-284	Detent Spring	\$ 2.00
1e	ECL-293A	Detent Lever & Roller Assembly	\$ 6.00
1f	ECL-1576-20	Actuator & Release Lever Kit	\$ 19.00
2KIT	100069-1	Siren Switch Assembly (includes 2a-2d)	\$ 45.00
2a	ECL-204-1	Switch Assembly	\$ 15.00
2b	100331	9V Battery Connector	\$ 2.00
2c	PP-5966-1	Siren	\$ 10.00
2d	101796	Holder-Switch Actuator Replacement kit	\$ 13.00
3	ECL-354AR	Backplate	\$ 16.00
4	PP-5090-1	Retaining Ring	\$ 0.12
5	ECL-236	Bar Pin	\$ 1.00
6	ECL-332	Paddle Bar, Short	\$ 23.00
	ECL-2105	Paddle Bar, Long	\$ 41.00
7	ECL-419	Bar Shield	\$ 0.45
8	ECL-8220	Paddle Bar Plate, Short (2 hole)	\$ 18.00
	ECL-2109	Paddle Bar Plate, Long (3 hole)	\$ 25.00
9	ECL-355	Cover	\$ 55.00
10KIT	PP-5572	Lockset with 2 Keys (includes 10a) (select key number 11 thru 20)	\$ 9.00
10a	ECL-405	Key (select key number 11 thru 20)	\$ 2.00
10b	ECL-405-KIT	Set of all keys (includes key numbers 11 thru 20)	\$ 15.00

Your particular part or configuration may not be shown:  
Contact Detex technical support at 800-729-3839 (option 2)