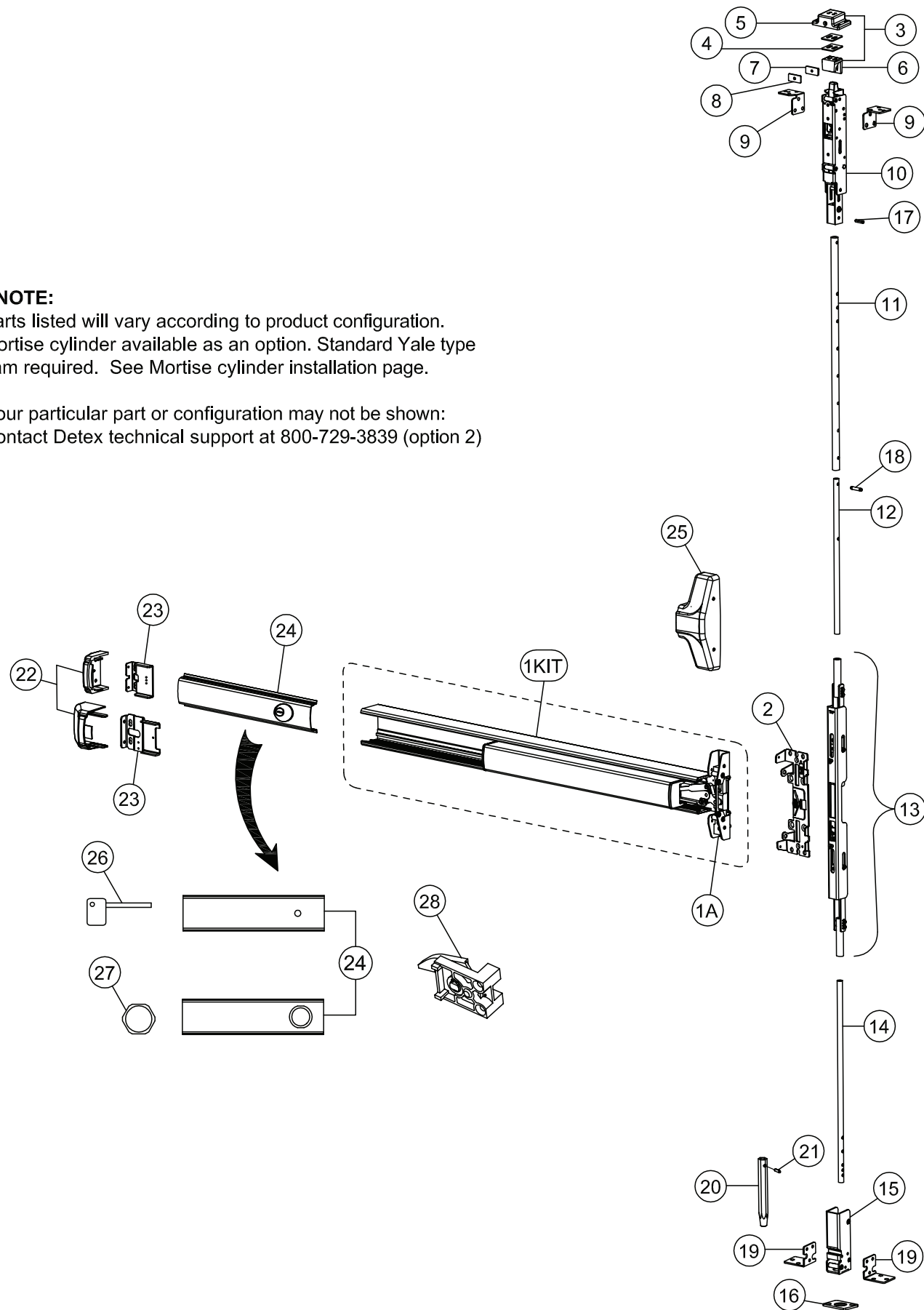


## 87 Series Parts List

**\* NOTE:**

Parts listed will vary according to product configuration. Mortise cylinder available as an option. Standard Yale type cam required. See Mortise cylinder installation page.

Your particular part or configuration may not be shown: Contact Detex technical support at 800-729-3839 (option 2)



Item	Part #	Description	List Price
1KIT	105500-X	S&R CVR Centercase/Pushpad Assy	\$
1A	104111-13	Centercase, CVR, Wide, RHR	\$ 290.50
	104111-14	Centercase, CVR, Wide, LHR	\$ 290.50
2	104171-1	Mounting plate, Wide, CVR, BP11 (Used with 08/09 lever trim)	\$ 51.20
	104171-2	Mounting plate, Wide, CVR, BP13 (Used with 03 trim)	\$ 51.60
3	106406-2	Top strike kit, FEMA	\$ 137.10
4	105246	CVR strike shim	\$ 7.00
5	105979-1	CVR top strike pocket, FEMA	\$ 70.20
6	105236-1	CVR top strike insert	\$ 34.00
7	106145	CVR primary load shim, FEMA	\$ 5.00
8	106146	CVR supplemental load shim, FEMA	\$ 2.20
9	106150-1	Top latch mounting bracket, FEMA, RHR	\$ 6.00
	106150-2	Top latch mounting bracket, FEMA, LHR	\$ 6.00
10	105984-1	Top latch assembly, FEMA (Panic)	\$ 546.00
	105984-2	Top latch assembly, FEMA (Fire)	\$ 556.50
11	104187	Outer top rod, 7' thru 8'	\$ 54.00
	105097	Outer top rod, 8'-1" thru 10'	\$ 59.00
12	104172-1	Inner top rod, 7' thru 8'	\$ 42.50
	104172-2	Inner top rod, 8'-1" thru 10'	\$ 85.40
13	104175-1	Center lift mechanism assembly	\$ 550.20
14	105098	CVR bottom rod	\$ 64.00
15	106330-1	Bottom boltcase assembly, FEMA	\$ 550.20
16	105257-3	95B Replacement strike kit	\$ 33.00
17	105296	Spring pin 3/16 x 13/16	\$ 0.15
18	103423	Spring pin 3/16 x 1/2	\$ 0.60
19	105982-3	Bottom bolt mounting bracket, FEMA, RHR	\$ 6.40
	105982-4	Bottom bolt mounting bracket, FEMA, LHR	\$ 6.40
20	103536-1	Bottom bolt, HURRICANE	\$ 12.90
21	101607	Spring pin 3/16 x 5/8	\$ 0.35
22	101642-9	Endcap, EC1 (ramped) Stainless Steel 630	\$ 75.00
	104304-9	Endcap, EC2 (flush) Stainless Steel 630	\$ 69.00
	104612-1	Endcap, EC2 (flush) Aluminum 628	\$ 69.00
23	100147	Endcap bracket for EC1 (ramped) endcap w/o battery holder	\$ 10.00
	101093	Endcap bracket for EC1 (ramped) endcap w/ battery holder	\$ 14.00
	104303	Endcap bracket for EC2 (flush) endcap w/o battery holder	\$ 25.00
	104636	Endcap bracket for EC2 (flush) endcap w/ battery holder	\$ 28.00
24	100860-54	Fillerplate Subassembly, S&R, Hex Dogging, HD, 630	\$ 134.00
	100860-49	Fillerplate Subassembly, S&R, Cylinder Dogging, CD, 630	\$ 147.00
	100860-100	Fillerplate Subassembly, S&R, Hex Dogging, HD, 628	\$ 530.68
25	102353-9	Centercase Cover, Stainless Steel, Wide, 630	\$ 89.00
	104640-9	Centercase Cover, Aluminum, Wide, 628	\$ 71.90
26	100450	Hex Key (for Hex Dogging)	\$ 3.00
27	100783	Cylinder Nut (for Cylinder Dogging)	\$ 3.00
28	102216-2	Hex Dogging Assembly	\$ 12.00
	102216	Cylinder Dogging Assembly	\$ 13.00

Your particular part or configuration may not be shown: Contact Detex technical support at 800-729-3839 (option 2)