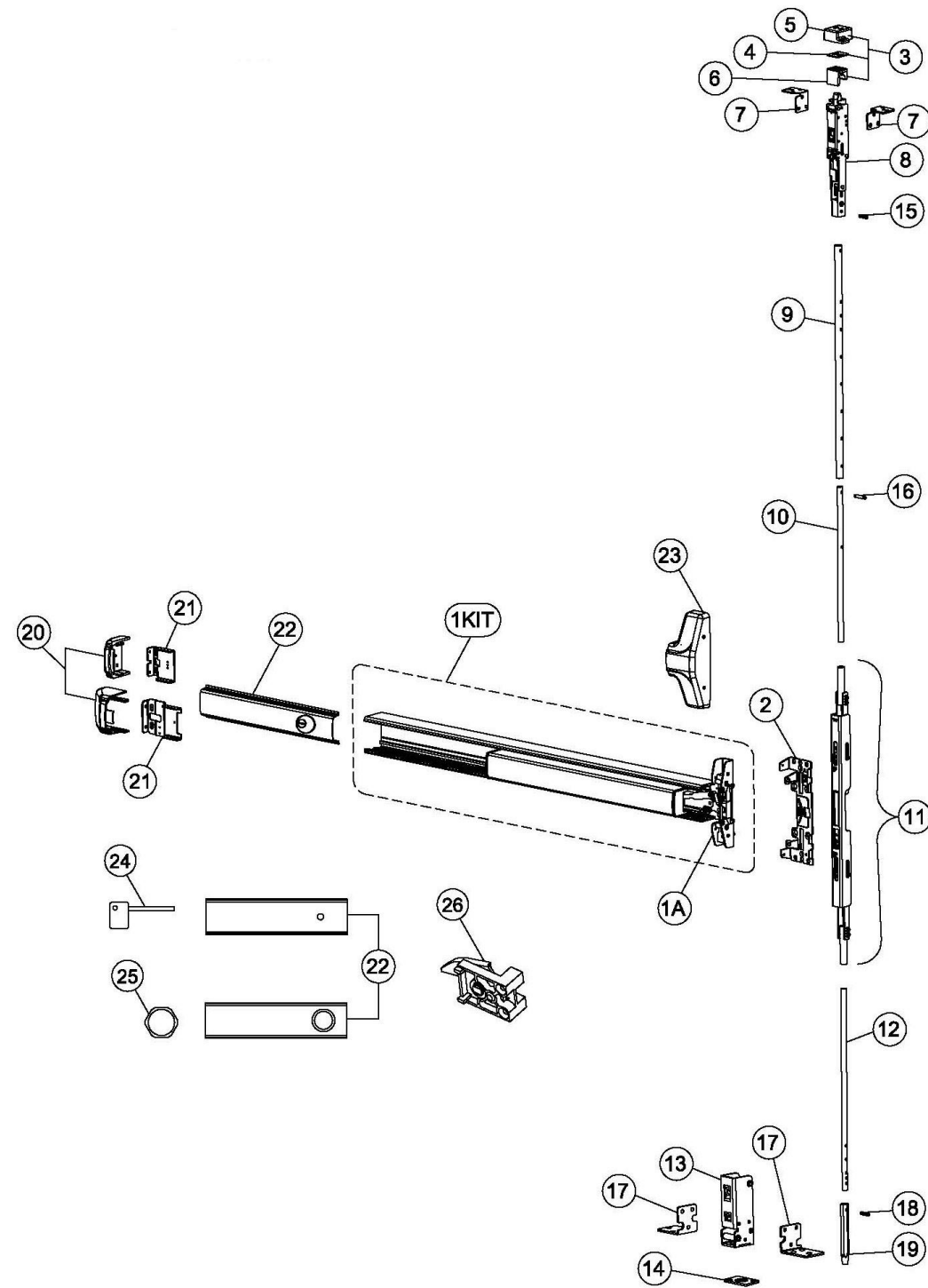


70 Series Parts List

For Mechanical Devices Only



Item	Order Part#	Description	Price
1KIT	105500-167	S&R CVR Centercase/Pushpad Assy	\$608.04
1A	104111-13	Centercase, CVR, Wide, RHR	\$371.63
	104111-14	Centercase, CVR, Wide, LHR	\$371.63
2	104171-1	Mounting plate, Wide, CVR, BP11 (Use with 08/09 lever trim)	\$65.50
	104171-2	Mounting plate, Wide, CVR, BP13 (Use with 03 trim)	\$66.01
3	105257-2	Top strike kit	\$371.52
4	105246	CVR strike shim	\$9.72
5	105235-1	CVR top strike pocket	\$167.71
6	105236-1	CVR top strike insert	\$43.49
7	105985-1	Top latch mounting bracket RHR	\$10.88
	105985-2	Top latch mounting bracket LHR	\$10.88
8	106340-1	Top latch (Panic)	\$605.86
	106340-2	Top latch (Fire)	\$619.29
9	104187	Outer top rod, 7' thru 8'	\$69.08
	105097	Outer top rod, 8'-1" thru 10'	\$113.85
10	104172-1	Inner top rod, 7' thru 8'	\$54.38
	104172-2	Inner top rod, 8'-1" thru 10'	\$109.25
11	105990-1	Center lift mechanism assembly, Top & Bottom	\$881.41
	105990-2	Center lift mechanism assembly, Top ONLY	\$574.39
12	105098	CVR bottom rod	\$81.87
13	106330	Bottom bolt case assembly	\$78.04
14	105257-3	Bottom strike kit	\$42.22
15	105296	Spring pin 3/16 x 13/16	\$1.08
16	103423	Spring pin 3/16 x 1/2	\$1.08
17	105982-1	Bottom bolt mounting bracket, RHR	\$20.47
	105982-2	Bottom bolt mounting bracket, LHR	\$20.47
18	101607	Spring Pin	\$0.44
19	103536-1	Bottom bolt	\$38.88
20	101642-9	Endcap, EC1 (ramped) Stainless Steel 630	\$95.95
	104304-9	Endcap, EC1 (flush) Stainless Steel 630	\$88.27
	104612-1	Endcap, EC2 (flush) Aluminum 628	\$139.44
21	100147	Endcap bracket for EC1 (ramped) endcap w/o battery holder	\$14.07
	101093	Endcap bracket for EC1 (ramped) endcap w/ battery holder	\$19.19
	104303	Endcap bracket for EC2 (flush) endcap w/o battery holder	\$38.38
	104636	Endcap bracket for EC2 (flush) endcap w/ battery holder	\$38.38
22	100860-54	Fillerplate Subassembly, S&R, Hex Dogging, HD, 630	\$171.42
	100860-49	Fillerplate Subassembly, S&R, Cylinder Dogging, CD, 630	\$228.99
23	102353-9	Centercase Cover, Stainless Steel, Wide 630	\$113.85
	104640-9	Centercase Cover, Aluminum, Wide, 628	\$91.98
24	100450	Hex Key (for Hex Dogging)	\$7.00
25	100783	Cylinder Nut (for Cylinder Dogging)	\$6.00
26	102216-2	Hex Dogging Assembly	\$23.03
	102216	Cylinder Dogging Assembly	\$17.91

NOTE: Your particular part or configuration may not be shown: Contact Detex technical support at 800-729-3839 (option 2)

