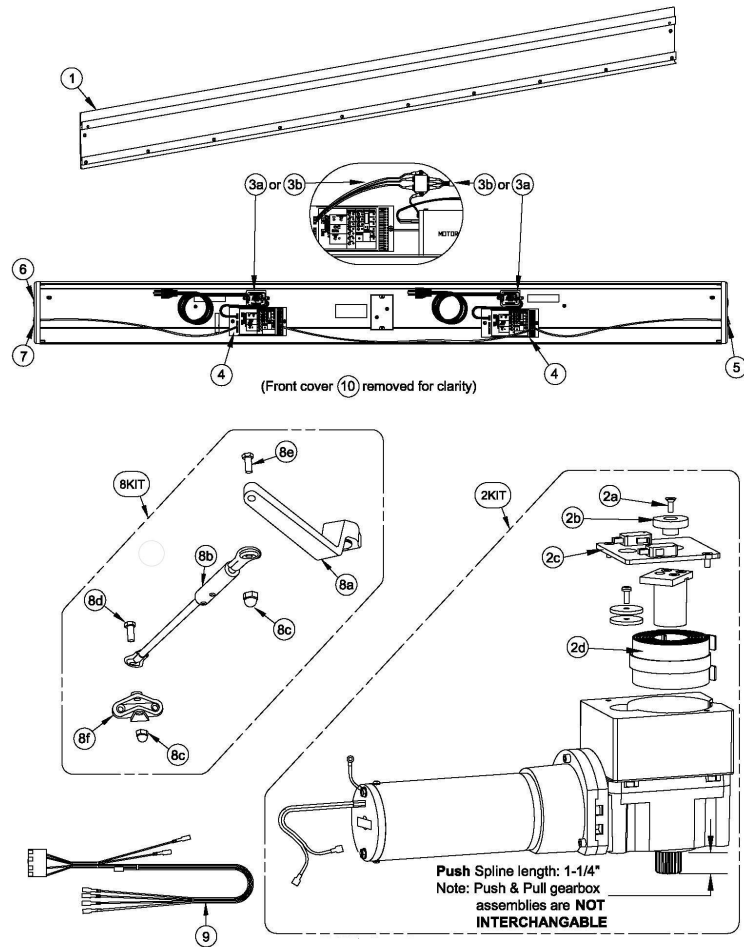


# AO19 SERIES®



## AO19-2 Push Parts List

| Item | Order Part# | Description  | Price      |
|------|-------------|--|------------|
| 1    | 12515-5     | Hanger plate, AO19, Aluminum finish, 74" long  | \$315.36   |
|      | 12515-6     | Hanger plate, AO19, Bronze finish, 74" long  | \$322.92   |
|      | 12515-7     | Hanger plate, AO19, Aluminum finish, 90" long  | \$366.12   |
|      | 12515-8     | Hanger plate, AO19, Bronze finish, 90" long  | \$366.12   |
|      | 12515-15    | Hanger plate, AO19, Aluminum finish, 98.50" long                                     | \$417.96   |
|      | 12515-16    | Hanger plate, AO19, Bronze finish, 98.50" long                                       | \$417.96   |
| 2KIT | 104796-3    | S&R Motor-gearbox assembly, AO19, RH Push (includes 2a-2d)                           | \$1,789.56 |
|      | 104796-1    | S&R Motor-gearbox assembly, AO19, LH Push (includes 2a-2d)                           | \$1,789.56 |
| 2a   | 12407-2     | Screw, mach, 10-32 x 1/2", flat socket head  | \$0.27     |
| 2b   | 12607       | Cam, AO19  | \$2.16     |
| 2c   | 104705      | Switch plate subassembly   | \$50.76    |
| 2d   | 105433      | S&R AO19 Clock spring replacement kit  | \$146.88   |
| 3a   | 105416-2    | S&R Kit, 120VAC Line Filter, 4 ft  | \$371.52   |
| 3b   | 105416-5    | S&R Kit, 120VAC Line Filter, 4 ft (alternate build)                                  | \$129.60   |
| 4    | 105421      | S&R Controller, operator, UDC 1000   | \$1,073.00 |
| 5    | 105422      | S&R Switch, 3 way toggle, with cable & connector (for Controller, independent units) | \$164.16   |
|      | 106911-1    | UDC 1000 Cable/Switch assembly, 36" (for dual units)                                 | \$154.44   |
|      | 106911-2    | UDC 1000 Cable/Switch assembly, 57" (for dual units)                                 | \$231.12   |
| 6    | 12905       | Plug, hole, .875 dia.  | \$1.08     |
| 7    | 12906       | Plug, hole, 1.093 dia.   | \$1.08     |
| 8KIT | 104798-1    | Push Arm subassembly, Aluminum finish (includes 8a-8f)                               | \$247.32   |
|      | 104798-2    | Push Arm subassembly, Bronze finish (includes 8a-8f)                                 | \$247.32   |
| 8a   | 12731-1     | Bent Arm, AO19, Aluminum finish  | \$114.48   |
|      | 12731-2     | Bent Arm, AO19, Bronze finish  | \$114.48   |
| 8b   | 104728-1    | Push arm rod assembly, Aluminum finish, 20"  | \$96.12    |
|      | 104728-2    | Push arm rod assembly, Bronze finish, 20"  | \$96.12    |
| 8c   | 12741-1     | Nut, acorn, 3/8-24 Aluminum finish   | \$2.16     |
|      | 12741-2     | Nut, acorn, 3/8-24 Bronze finish   | \$2.16     |
| 8d   | 12739-1     | Screw, hex cap, 3/8-24 x 1-3/4" long, Aluminum finish                                | \$2.16     |
|      | 12739-2     | Screw, hex cap, 3/8-24 x 1-3/4" long, Bronze finish                                  | \$2.16     |
| 8e   | 12743-1     | Screw, hex cap, 3/8-24 x 1-1/4" long, Aluminum finish                                | \$2.16     |
|      | 12743-2     | Screw, hex cap, 3/8-24 x 1-1/4" long, Bronze finish                                  | \$2.16     |
| 8f   | 12735-1     | Door foot, AO19, Aluminum finish   | \$48.60    |
|      | 12735-2     | Door foot, AO19, Bronze finish   | \$45.36    |
| 9    | 104706      | Micro harness, AO19  | \$44.28    |
| 10   | 12516-5     | Cover, AO19, Aluminum finish, 74" long (not shown)                                   | \$281.88   |
|      | 12516-6     | Cover, AO19, Bronze finish, 74" long (not shown)                                     | \$281.88   |
|      | 12516-7     | Cover, AO19, Aluminum finish, 90" long (not shown)                                   | \$294.84   |
|      | 12516-8     | Cover, AO19, Bronze finish, 90" long (not shown)                                     | \$294.84   |
|      | 12516-15    | Cover, AO19, Aluminum finish, 98.75" long (not shown)                                | \$320.76   |
|      | 12516-16    | Cover, AO19, Bronze finish, 98.75" long (not shown)                                  | \$320.76   |

NOTE: Your particular part or configuration may not be shown: Contact Detex technical support at 800-729-3839 (option 2)