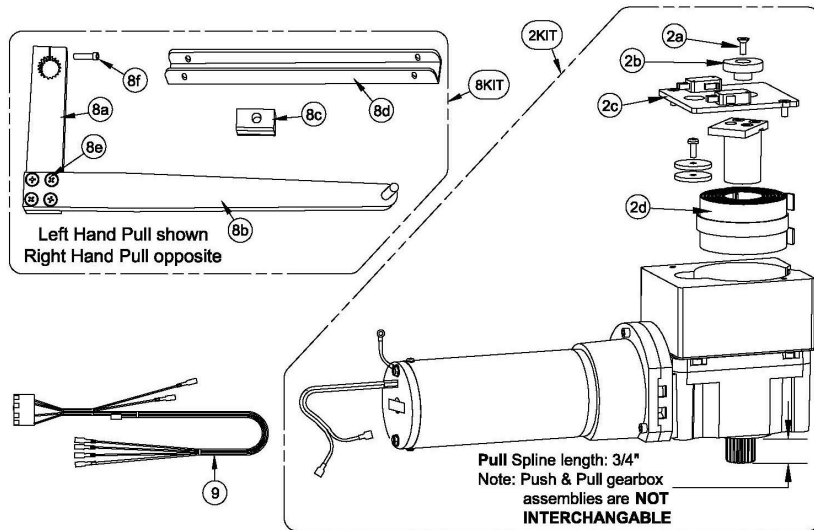
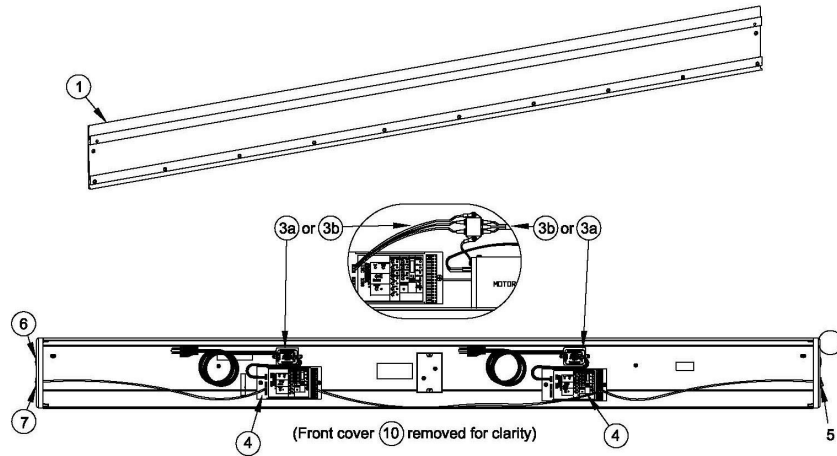


AO19 SERIES®



AO19-2 Pull Parts List

Item	Order Part#	Description	Price
1	12515-5	Hanger plate, AO19, Aluminum finish, 74" long	\$315.36
	12515-6	Hanger plate, AO19, Bronze finish, 74" long	\$322.92
	12515-7	Hanger plate, AO19, Aluminum finish, 90" long	\$366.12
	12515-8	Hanger plate, AO19, Bronze finish, 90" long	\$366.12
	12515-15	Hanger plate, AO19, Aluminum finish, 98.50" long	\$417.96
	12515-16	Hanger plate, AO19, Bronze finish, 98.50" long	\$417.96
2KIT	104796-4	S&R Motor-gearbox assembly, AO19, RH Pull (includes 2a-2d)	\$1,789.56
	104796-2	S&R Motor-gearbox assembly, AO19, LH Pull (includes 2a-2d)	\$1,789.56
2a	12407-2	Screw, mach, 10-32 x 1/2", flat socket head	\$0.27
2b	12607	Cam, AO19	\$2.16
2c	104705	Switch plate subassembly	\$50.76
2d	105433	S&R AO19 Clock spring replacement kit	\$146.88
3a	105416-2	S&R Kit, 120VAC Line Filter, 4 ft	\$371.52
3b	105416-5	S&R Kit, 120VAC Line Filter, 4 ft (alternate build)	\$129.60
4	105421	S&R Controller, operator, UDC 1000	\$1,073.00
5	105422	S&R Switch, 3 way toggle, with cable & connector (for Controller, independent units)	\$164.16
	106911-1	UDC 1000 Cable/Switch assembly, 36" (for dual units)	\$154.44
	106911-2	UDC 1000 Cable/Switch assembly, 57" (for dual units)	\$231.12
6	12905	Plug, hole, .875 dia.	\$1.08
7	12906	Plug, hole, 1.093 dia.	\$1.08
8KIT	104797-1	Pull Arm subassembly, Aluminum finish (includes 8a-8f)	\$314.28
	104797-2	Pull Arm subassembly, Bronze finish (includes 8a-8f)	\$314.28
8a	12781-1	Power Arm, AO19, Aluminum finish	\$141.48
	12781-2	Power Arm, AO19, Bronze finish	\$141.48
8b	12787-1	Forearm, AO19, Aluminum finish	\$135.00
	12787-2	Forearm, AO19, Bronze finish	\$135.00
8c	12784	Block, Arm Slide	\$45.36
8d	12785-1	Slide Track, Aluminum finish	\$51.84
	12785-2	Slide Track, Bronze finish	\$51.84
8e	102271-112	Screw, mach, 1/4-20 PFH, Stainless Steel	\$0.54
	102271-312	Screw, mach, 1/4-20 PFH, Stainless Steel, Black	\$2.16
	12742-1	Screw, Socket head cap, 1/4-20 x 1", Stainless Steel	\$1.08
	12742-2	Screw, Socket head cap, 1/4-20 x 1", Black	\$0.54
8f	12742-2	Screw, Socket head cap, 1/4-20 x 1", Black	\$0.54
9	104706	Micro harness, AO19	\$44.28
10	12516-5	Cover, AO19, Aluminum finish, 74" long (not shown)	\$281.88
	12516-6	Cover, AO19, Bronze finish, 74" long (not shown)	\$281.88
	12516-7	Cover, AO19, Aluminum finish, 90" long (not shown)	\$294.84
	12516-8	Cover, AO19, Bronze finish, 90" long (not shown)	\$294.84
	12516-15	Cover, AO19, Aluminum finish, 98.75" long (not shown)	\$320.76
	12516-16	Cover, AO19, Bronze finish, 98.75" long (not shown)	\$320.76

NOTE: Your particular part or configuration may not be shown: Contact Detex technical support at 800-729-3839 (option 2)