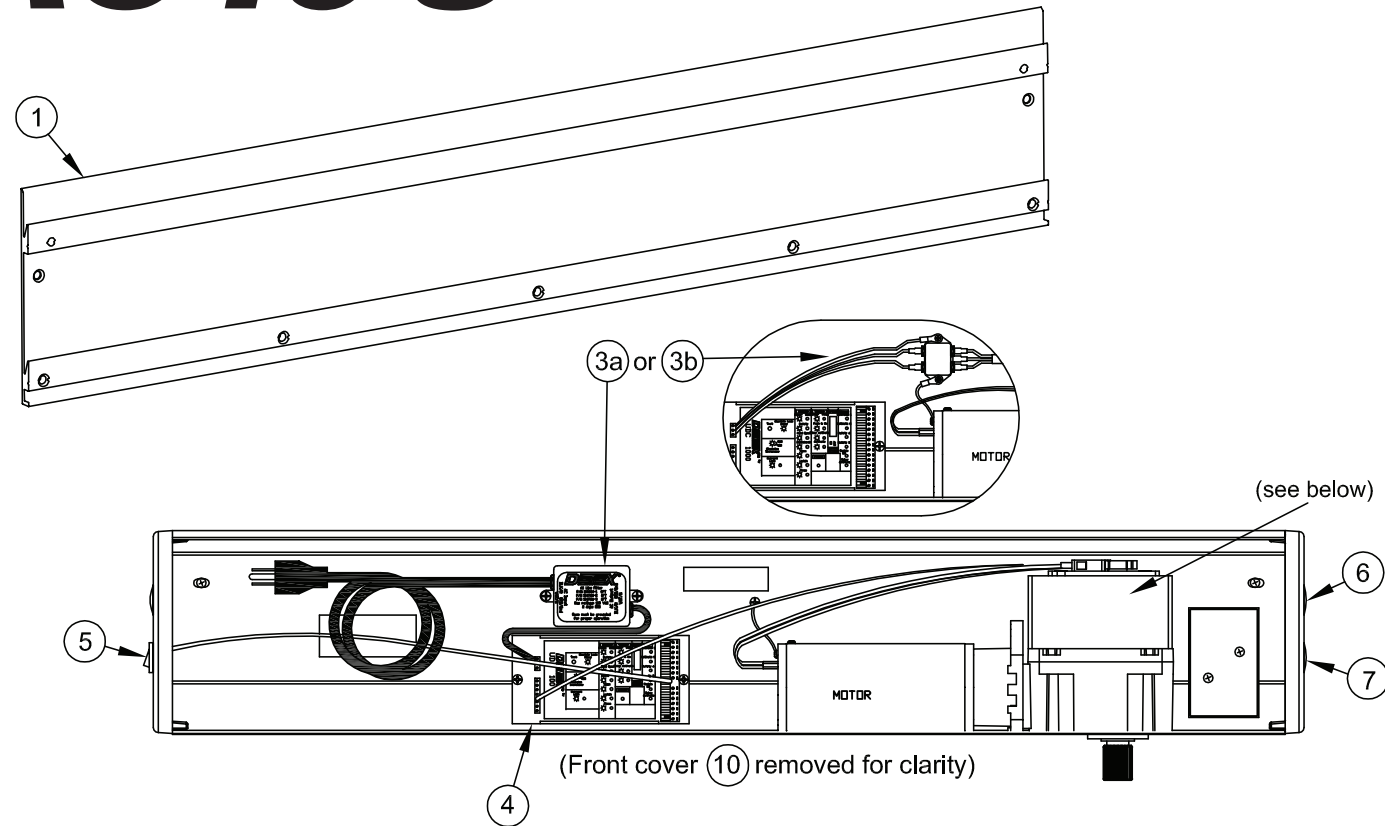
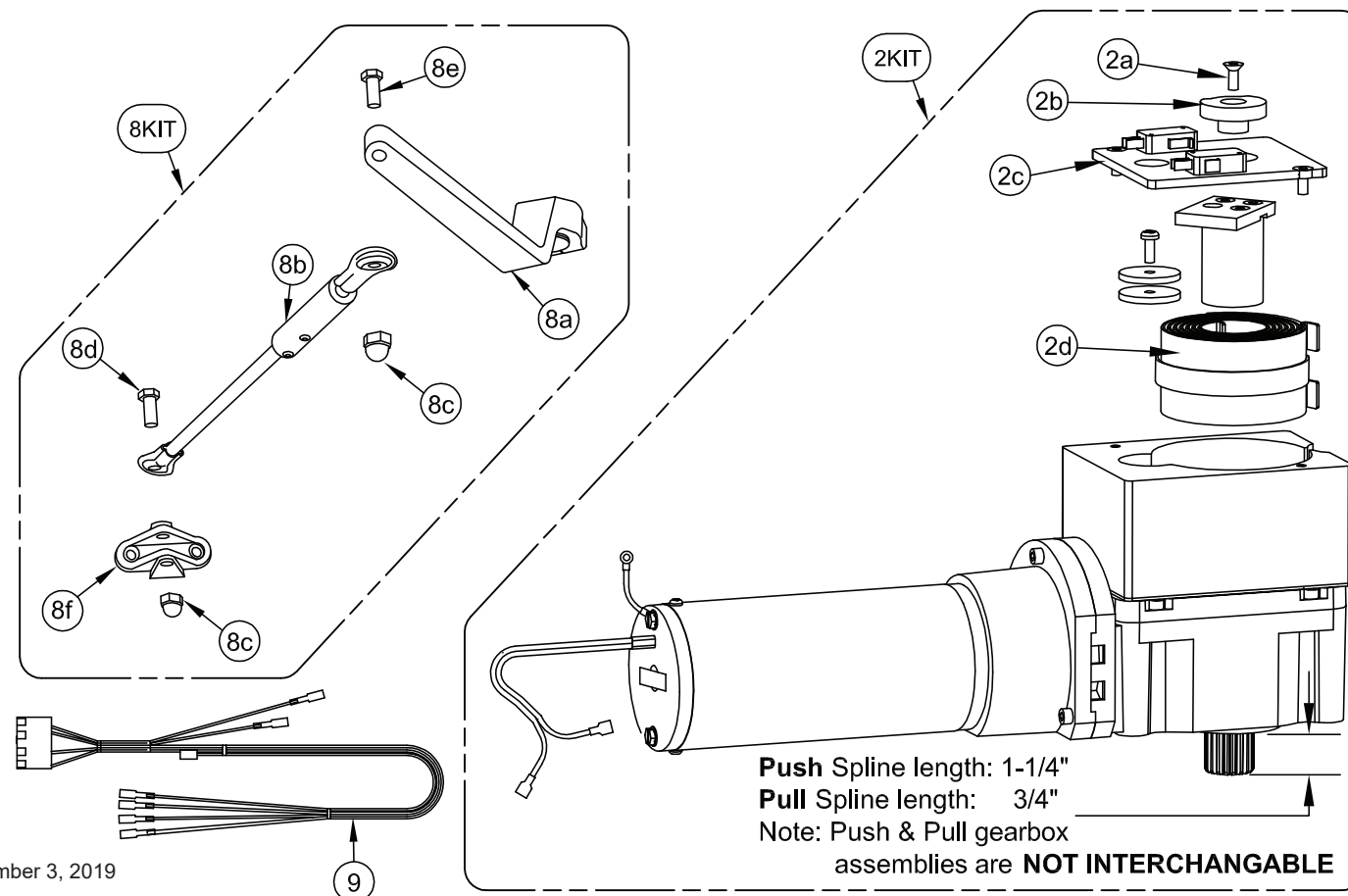


AO19 SERIES®

AO19-1 Push Parts List



Right Hand Push device shown above and throughout this instruction.



Item	Order Part #	Description	List Price
1	12515-1	Hanger plate, AO19, Aluminum finish, 38" long	\$ 99.00
	12515-2	Hanger plate, AO19, Bronze finish, 38" long	\$ 99.00
	12515-3	Hanger plate, AO19, Aluminum finish, 44" long	\$ 142.00
	12515-4	Hanger plate, AO19, Bronze finish, 44" long	\$ 142.00
	12515-13	Hanger plate, AO19, Aluminum finish, 50.50" long	\$ 171.00
	12515-14	Hanger plate, AO19, Bronze finish, 50.50" long	\$ 171.00
2KIT	104796-3	S & R Motor-gearbox assembly, AO19, RH Push (includes 2a-2d)	\$ 1,449.00
	104796-1	S & R Motor-gearbox assembly, AO19, LH Push (includes 2a-2d)	\$ 1,449.00
2a	12407-2	Screw, mach, 10-32 x 1/2" , flat socket head	\$ 0.17
2b	12607	Cam, AO19	\$ 1.00
2c	104705	Switch plate subassembly	\$ 39.00
2d	105433	S & R AO19 Clock spring replacement kit	\$ 119.00
3a	105416-2	S & R Kit, 120VAC Line filter, 4 ft	\$ 290.00
3b	105416-5	S & R Kit, 120VAC Line filter, 4 ft (alternate build)	\$ 101.00
4	105421	S & R Controller, operator, UDC1000	\$ 779.00
5	105422	S & R Switch, 3 way toggle, with cable & connector (for UDC Controller)	\$ 128.00
6	12905	Plug, hole, .875 dia.	\$ 0.59
7	12906	Plug, hole, 1.093 dia.	\$ 0.75
8KIT	104798-1	Push Arm subassembly, Aluminum finish (includes 8a-8f)	\$ 200.00
	104798-2	Push Arm subassembly, Bronze finish (includes 8a-8f)	\$ 200.00
8a	12731-1	Bent Arm, AO19, Aluminum finish	\$ 89.00
	12731-2	Bent Arm, AO19, Bronze finish	\$ 89.00
8b	104728-1	Push arm rod assembly, Aluminum finish, 20"	\$ 75.00
	104728-2	Push arm rod assembly, Bronze finish, 20"	\$ 75.00
8c	12741-1	Nut, acorn, 3/8-24 Aluminum finish	\$ 1.25
	12741-2	Nut, acorn, 3/8-24 Bronze finish	\$ 1.25
8d	12739-1	Screw, hex cap, 3/8-24 x 1-3/4" long, Aluminum finish	\$ 1.25
	12739-2	Screw, hex cap, 3/8-24 x 1-3/4" long, Bronze finish	\$ 1.25
8e	12743-1	Screw, hex cap, 3/8-24 x 1-1/4" long, Aluminum finish	\$ 1.25
	12743-2	Screw, hex cap, 3/8-24 x 1-1/4" long, Bronze finish	\$ 1.25
8f	12735-1	Door foot, AO19, Aluminum finish	\$ 35.00
	12735-2	Door foot, AO19, Bronze finish	\$ 35.00
9	104706	Micro harness, AO19	\$ 36.00
10	12516-1	Cover, AO19, Aluminum finish, 38.25" long (not shown)	\$ 99.00
	12516-2	Cover, AO19, Bronze finish, 38.25" long (not shown)	\$ 99.00
	12516-3	Cover, AO19, Aluminum finish, 44.25" long (not shown)	\$ 112.00
	12516-4	Cover, AO19, Bronze finish, 44.25" long (not shown)	\$ 112.00
	12516-13	Cover, AO19, Aluminum finish, 50.75" long (not shown)	\$ 135.00
	12516-14	Cover, AO19, Bronze finish, 50.75" long (not shown)	\$ 135.00

Your particular part or configuration may not be shown:
Contact Detex technical support at 800-729-3839 (option 2)